

GOLDMAN Fan Coil Units

TECHNICAL DATA

Water Chilled Fan Coil Units for Duct Installation 2pipe and 3 rows

Model	GF		200	300	400	500	600	800	1000	1200	1400
Air flow	[m3/h]	H	340	510	680	850	1020	1360	1700	2040	2380
		M	255	383	510	638	765	1020	1275	1530	1785
		L	170	255	340	425	510	680	850	1020	1190
Total cooling capacity *	[W]	H	1800	2700	3600	4500	5400	7200	9000	10800	12600
		M	1440	2160	2880	3600	4320	5760	7200	8640	10080
		L	1170	1755	2340	2925	3510	4680	5850	7020	8190
Sensible cooling capacity *	[W]	H	1307	1961	2615	3268	3922	5229	6537	7844	10300
		M	1177	1765	2353	2942	3530	4706	5883	7060	8500
		L	1059	1588	2118	2647	3177	4236	5295	6354	7460
Heating capacity *	[W]	H	2700	4050	5400	6750	8100	10800	13500	16200	18900
		M	2160	3240	4320	5400	6480	8640	10800	12960	15120
		L	1857	2633	3510	4388	5265	7020	8775	10530	11340
Standard External pressure		Pa	12	12	12	12	12	12	12	12	12
Power input [W]		12Pa	35.2	46	57.4	69	86	123	160	189	228
		30Pa	39.5	55	66.9	82	100	136	175	211	247
		50Pa	49.5	59	85.4	93	108	155	188	236	297
Sound pressure level **	[dB(A)]	12Pa	37	39	41	43	45	46	48	50	52
		30Pa	40	42	44	46	47	48	50	52	54
		50Pa	42	44	46	47	49	50	52	54	56
Net weight		kg	10.5	14.6	16	16.5	18.5	23.5	25.5	30.5	35.5
Water flow rate		m3/h	0.4	0.51	0.71	0.92	1.05	1.4	1.75	2.1	2.5
Water pressure drop		kPa	20	20	25	30	35	40	40	45	50
Water connections		Inch	RC 3/4"								
Drain pipe		Inch	RC 3/4"								
Fan motor quantity		---	1	1	1	1	1	2	2	2	2
Fan quantity		---	1	2	2	2	2	3	4	4	4
Max working pressure		MPa	2								
Power supply		/	220V/1Ph/50Hz								

* The data are referred to the following conditions:

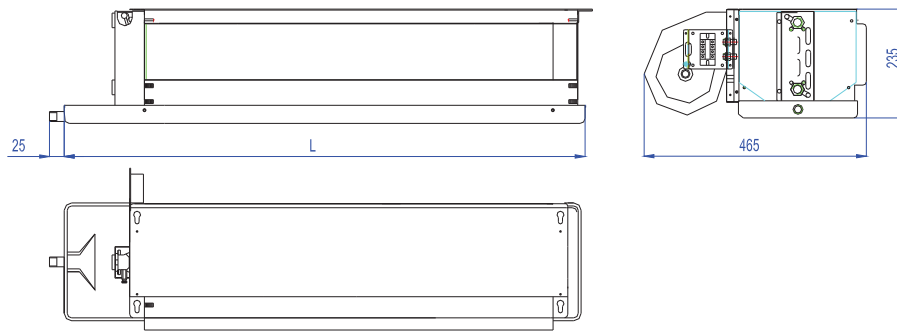
Cooling: room temperature: 27 °C 50% RH, water temperature: 7/12 °C, high speed.

Heating: room temperature: 21 °C, water inlet temperature: 60/50 °C, high speed.

** Sound pressure measured in anechoic room 1.5 m away from the unit.

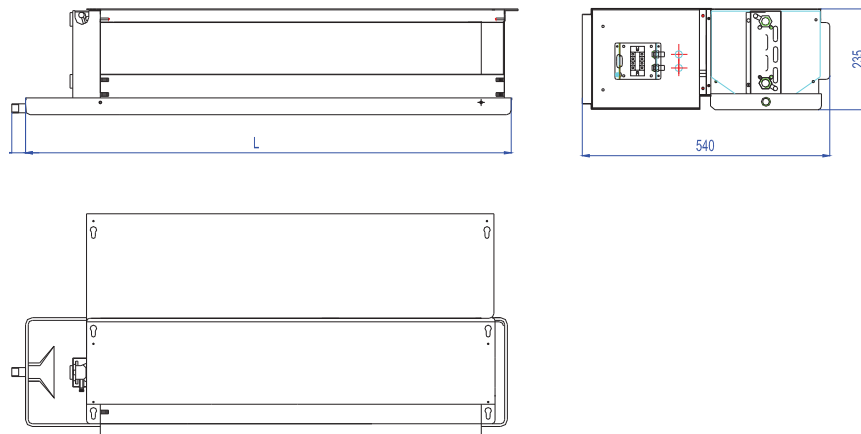
OVERALL DIMENSIONS

a) 2 pipe 3 rows without plenum

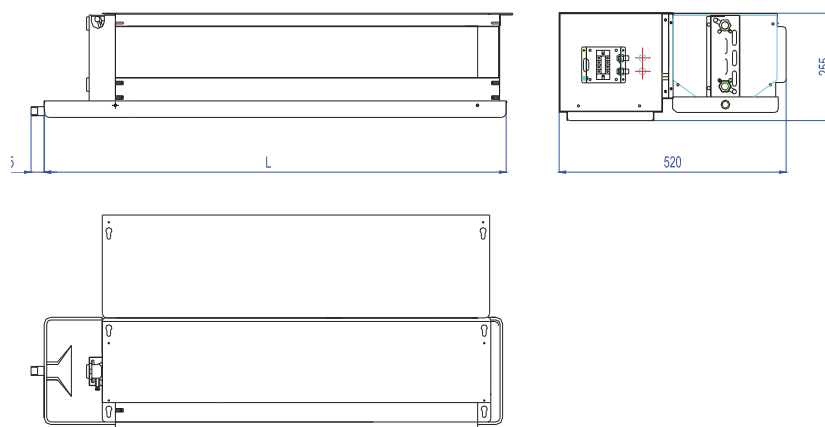


b) 2 pipe 3 rows with plenum

- Back air intake



- Downside air intake



Model	GF200	GF300	GF400	GF500	GF600	GF800	GF1000	GF1200	GF1400
L	680	880	930	1030	1200	1370	1500	1600	1870